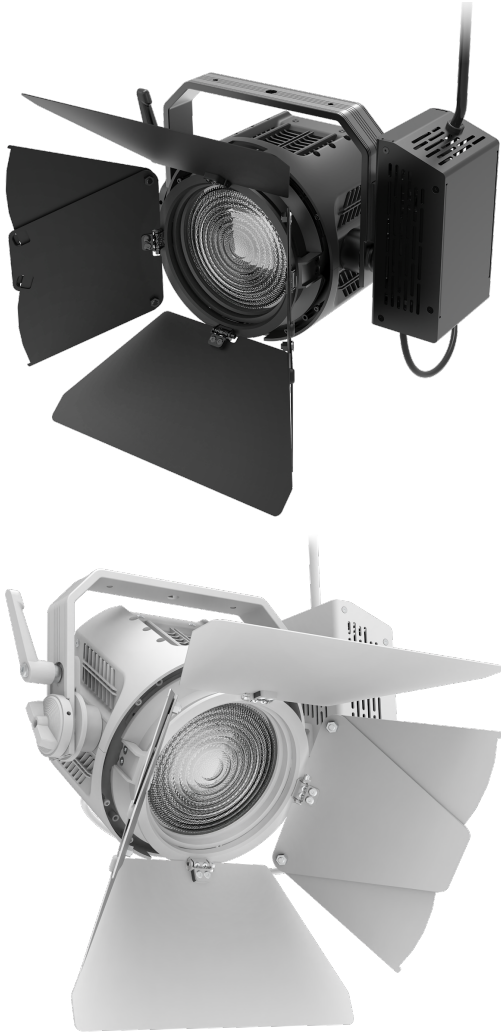


P5F Fresnel Light (Clamp)

175W LED/ 12°- 55°



- Cine-Grade Light Quality
- Point-Source LED
- DMX Controllable
- 175W Power Draw
- Compact (< 12" of Vertical Space)

ORDERING GUIDE

CXP5F - - - **CLP** - **PSV** -

Mode

CLR	All Modes
EZ	All EZ Modes
RGB	RGB Mode Only
CCT	Tunable CCT Mode Only
3200	Fixed 3200K
5600	Fixed 5600K

Finish

WH	White
BK	Black

Mount

CLP	Clamp Mount
------------	-------------

Power Supply & Control

PSV	Power Supply
------------	--------------

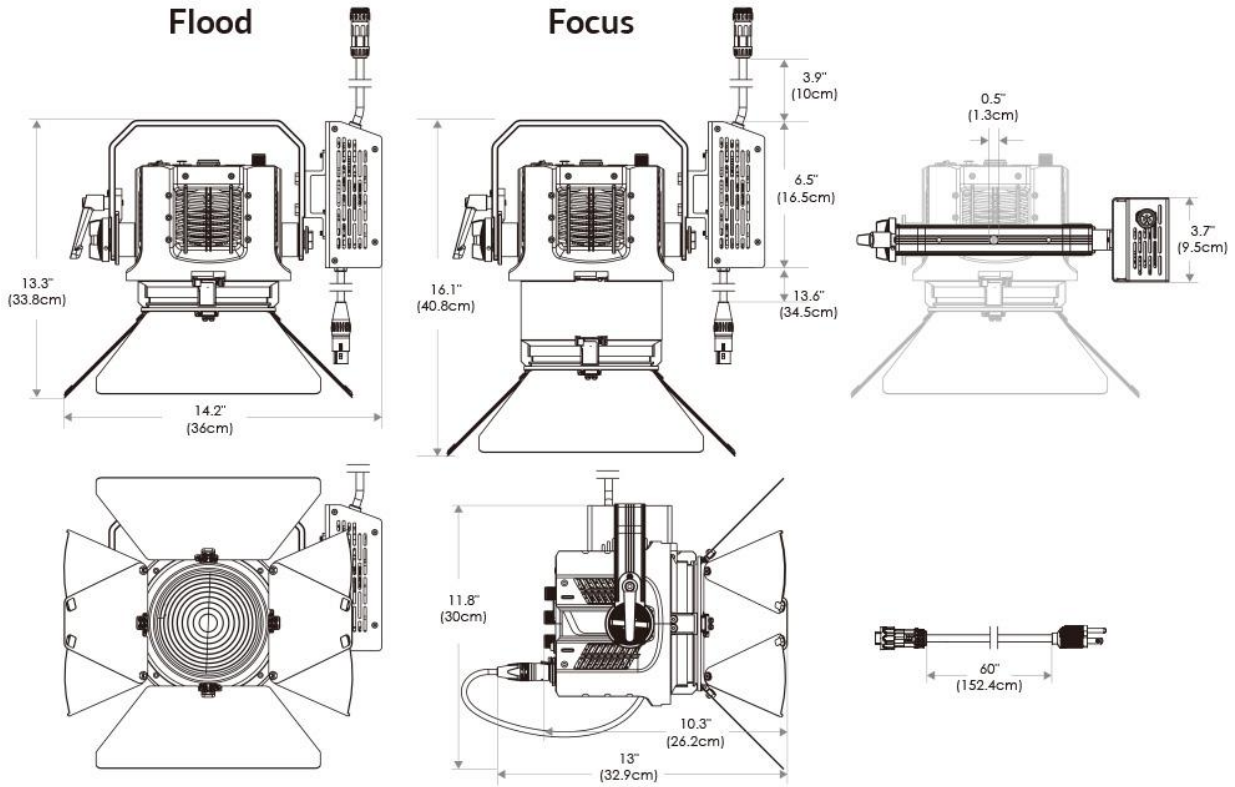
Plug/Connection

US	US 120V
EU	EU 220V

SPECIFICATIONS

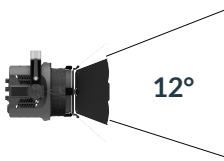
Beam Angle	12°- 55°
CRI / TLCI	95/90 typical (in CCT Mode of 2800K-6500K)
Dimming	100% - 0% flicker free
Power Draw	175W max
AC Input	100 - 240V AC, 50 - 60Hz
Remote Control	DMX 512
Cooling	Fan Cooled
Operating Temp.	32 - 104°F (0 - 40°C)
Weight (Fixture + Power Supply)	9.6lb / 4.4kg

MECHANICAL FIGURES



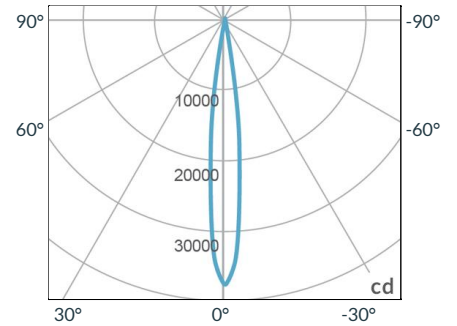
PHOTOMETRIC DATA

Focus

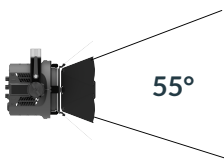


Distance		3' (~0.9 m)	10' (~3.0 m)	15' (~4.6 m)
@3200K	fc	3150	359	128
	lux	33907	3865	1378
@5600K	fc	3296	376	134
	lux	35478	4048	1443
Beam Diameter		Ø 0.7' (~0.2m)	Ø 2.1' (~0.6m)	Ø 3.5' (~1.1m)

Beam Angle : 12°

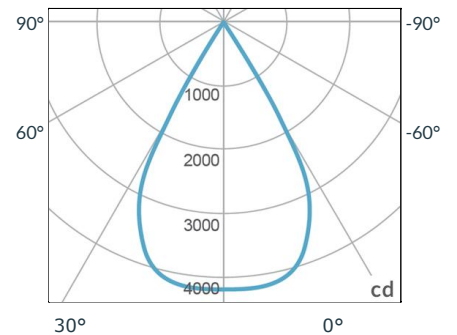


Flood



Distance		3' (~0.9 m)	10' (~3.0 m)	15' (~4.6 m)
@3200K	fc	385	45	17
	lux	4145	485	183
@5600K	fc	406	47	18
	lux	4371	506	194
Beam Diameter		Ø 0.9' (~0.6m)	Ø 8.6' (~2.6m)	Ø 14.4' (~4.4m)

Beam Angle : 55°



MODE DESCRIPTION

Mode Description	Available Modes
- CLR	All Modes (8 bit and 16 bit)
- EZ	All EZ Modes (8 bit) (EZ CCT / EZ HSI / EZ RGBW / EZ RGB / EZ ICTHS / EZ ICT RGBW / EZ 3200K / EZ 5600K)
- RGB	EZ RGB (8 bit)
- CCT	EZ CCT (8 bit)
- 3200	EZ 3200K (8 bit)
- 5600	EZ 5600K (8 bit)

See Downloads portion of webpage for full DMX profiles